

# MANISCOPIC

# ■ MT-X 1740 SLT





- Maximum lifting height : 16.65 m
- Nominal capacity :  
4000 kg at 500 mm
- Maximum forward reach : 12.35 m
- Torque convertor
- 4 wheel drive - 4 wheel steer
- Hydraulic stabilizers
- Frame levelling





**MANITOU**

# MT-X 1740 SLT


 **Lift capacity** .....4000 kg  
 at 500 mm from forks heels.  
 Tipping load at maximum reach  
 with stabilizers .....957 kg  
 Tear out force with bucket  
 as per ISO 8313 .....7000 daN


 **Lift height** .....16.65 m  
**Times** : unladen / loaded (in s)  
 Lifting .....15/16  
 Lowering .....10/9  
 Extension 1<sup>st</sup> and 2<sup>nd</sup> booms .....21.8/24.4  
 Extension 3rd boom (with stabilisers only) ..10.4/11.5  
 Retraction 1<sup>st</sup> and 2<sup>nd</sup> booms .....17.7/17.4  
 Retraction 3rd boom (with stabilisers only) ....9.7/8.7  
 Time unladen (in s)  
 Crowd .....5.3  
 Dump .....8.4


 **Tyres**  
 440/80-24 BAT

 **Forks** (mm)  
 Length .....1200  
 Width x thickness .....125 x 50  
 Maximum distance between forks .....1040  
 Carriage rotation .....124°


 **Multidisc brakes - hydraulically assisted on both axles**

 **PERKINS Engine Turbo**  
 Type .....1104D- 44TA  
 Capacity .....4 cylindres 4400 cm<sup>3</sup>  
 Power (ISO/TR 14396) :  
 at 2200 tr/mn .....101 HP/74.5 kw  
 Maximum torque (ISO/TR 14396) ..412 Nm at 1400 r.p.m.  
 Direct Injection  
 Water Cooling

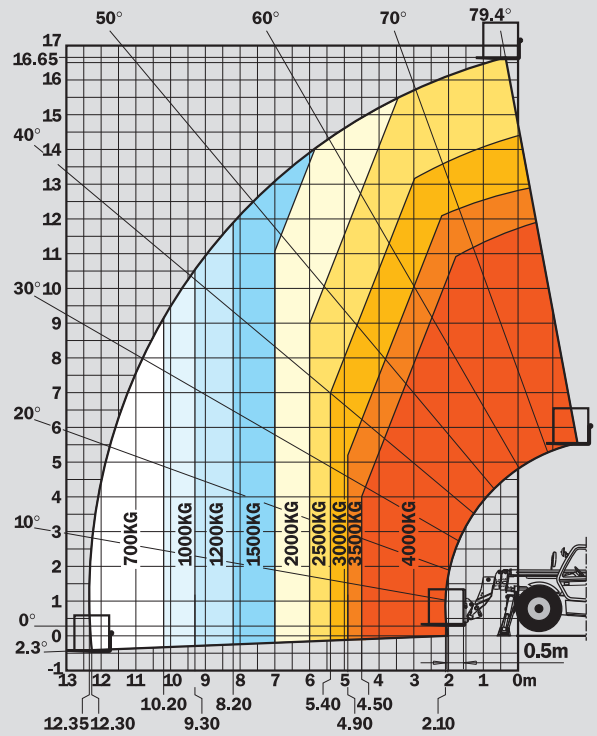
 **Transmission** .....Torque convertor  
 Electro-hydraulic reversing shift  
 4 gears forward and reverse  
 Maximum travel speed .....25 km/h

 **Hydraulics**  
 Gear type .....260 bars/196 l/mn  
 Flow divider with priority to steering and brakes

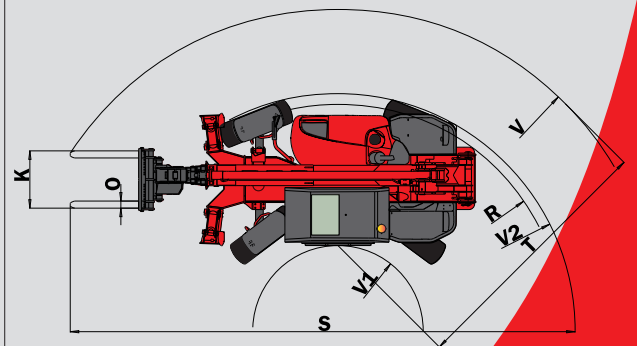
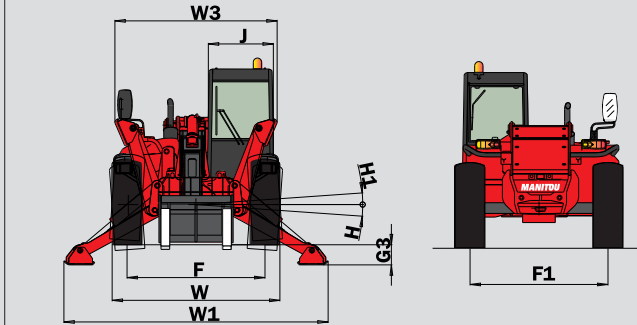
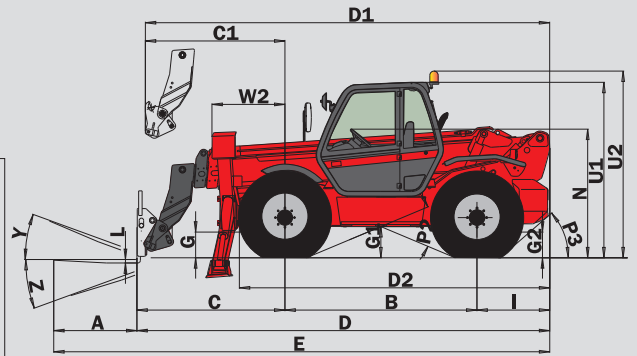
 **Capacities**  
 Cooling system .....18.5 l.  
 Engine oil .....11 l.  
 Hydraulic oil .....175 l.  
 Transmission oil .....16 l.  
 Fuel tank .....135 l.

 **Weight unladen** (with forks) .....11220 kg  
**Overall width** .....2.42 m  
**Overall height** .....2.60 m  
**Turning radius** (outside wheels) .....4.17 m  
**Overall length** .....5.98 m  
**Ground clearance** .....0.48 m  
**Drawbar pull** (unladen) .....9700 daN

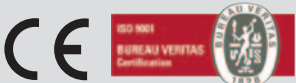
Under  
 EN 1459  
 annexe B



|    |       |
|----|-------|
| A  | 1200  |
| B  | 2770  |
| C  | 2160  |
| C1 | 2232  |
| D  | 5980  |
| D1 | 6052  |
| D2 | 4435  |
| E  | 7180  |
| F  | 1990  |
| F1 | 1990  |
| G  | 480   |
| G1 | 475   |
| G2 | 480   |
| G3 | 290   |
| H  | 7°    |
| H1 | 7°    |
| I  | 1050  |
| J  | 950   |
| K  | 1040  |
| L  | 50    |
| N  | 1880  |
| O  | 125   |
| P2 | 45,5° |
| P3 | 50°   |
| R  | 3950  |
| S  | 8912  |
| T  | 4239  |
| U1 | 2605  |
| U2 | 2785  |
| V  | 5709  |
| V1 | 1470  |
| V2 | 4168  |
| W  | 2425  |
| W1 | 3820  |
| W2 | 1050  |
| W3 | 2350  |
| Y  | 12°   |
| Z  | 112°  |



This equipment described in this leaflet may be standard, optional, or unavailable, depending on the versions. For more details, contact your MANITOU dealer.



**MANITOU BF SA**  
 B.P. 249 - 44158 Ancenis Cedex - France  
 Tel. : 33 2 40 09 10 11 / Export Department Fax : 33 2 40 09 10 97  
 www.manitou.com

